

# San-Flo

## *Super Fine Autogenous Grinder*

**WASTE RECOVERY**

**WASTE REDUCTION**

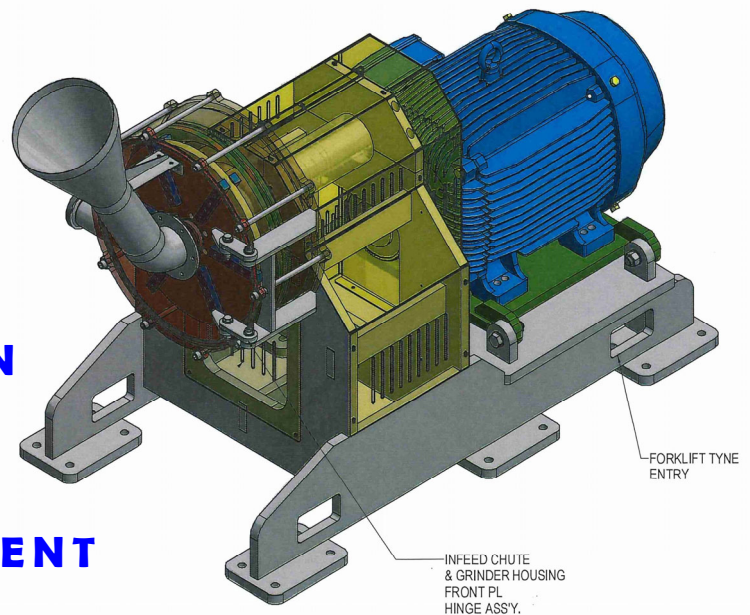
**SIZE REDUCTION**

**MOISTURE REDUCTION**

**MINERAL GRINDING**

**PRODUCT ENHANCEMENT**

**POWDER DOWN TO 3  $\mu$ M**



- ✓ Conversion of vegetable products – carrot, beetroot etc to low moisture powders for long term non-refrigerated storage and later reconstitution, local and export markets.
- ✓ Fine grinding of food waste, damaged product, off spec product, for incorporation into front end processing or diversion to pet foods or compost.
- ✓ Fine slurry grinding of soup stock bones for incorporation into front end processing or pet food with zero waste and recovery of valuable minerals and proteins.
- ✓ Fine grinding of flax, hemp and sugar cane into fine fibres for incorporation into drinks and dessert mixes to increase fibre content.



**Food Process Engineering Pty Ltd**

Suite 3, 1601 Main Rd, Research, Victoria, 3095 Australia  
Telephone : 61-3 9433 9600 Email : [info@foodpro.com.au](mailto:info@foodpro.com.au)  
Website: [www.foodpro.com.au](http://www.foodpro.com.au)



# APPLICATIONS

## GRAINS, SEEDS & PULSES

- ★ Wheat, Rice, Soy Bean, Oats, Barley, Corn, Linseed, Hemp, Cocoa, Almond, Peas, Lentils, Sugar Cane, Nuts, Eucalypt, Sunflower, Coffee, Quinoa, Chia, Chick Pea

## ROOT VEGETABLES

- ★ Carrot, Swede, Beetroot, Turnip, Pumpkin, Broccoli, Silverbeet

## HERBS & SPICES

- ★ Ginger, Cinnamon, Parsley, Chives, Leafy Herbs, Chilli, Mint, Rosemary

## FRUITS

- ★ Tomato (paste), Orange, Lemon, Grape Marc, Avocado

## OILS & FATS

- ★ Fish oil recovery, Coffee Whitener, Vegetable Oils, Seaweed (kelp), Cocoa, Chocolate

## TEXTILES

- ★ Wool & Polyester Recovery, Component Separation, Waste Garment Reduction

## MINERALS

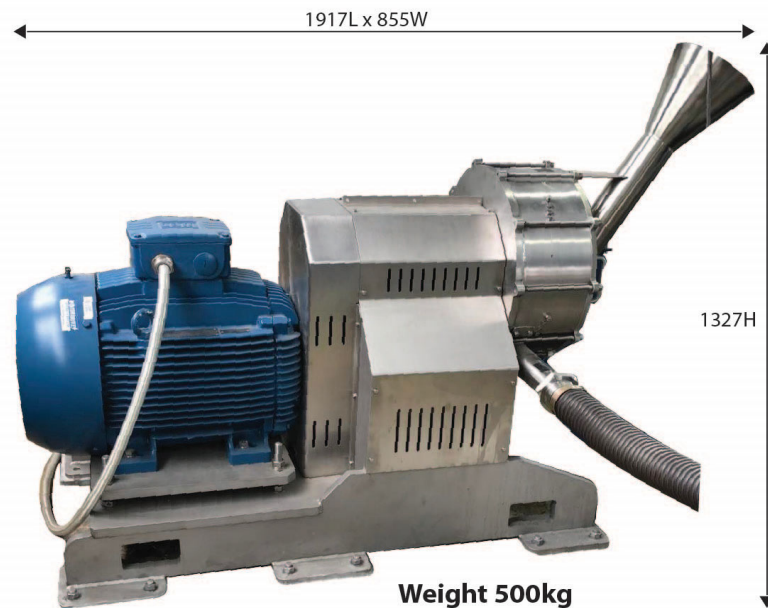
- ★ Zeolite, Lime

## BUILDING/CONSTRUCTION

- ★ Building Scrap Waste, Offcut Processing, Plasterboard Recovery

## INDUSTRIAL

- ★ Brown Coal, Sawdust, Scrap Timber, Circuit Board Recovery, 3D Printing Powders,



# CONSTRUCTION

- ✓ All stainless steel, finished to food industry standards.
- ✓ Rotational speeds up to 10,000 RPM
- ✓ Fully balanced machine rotor
- ✓ Non-contact labyrinth seals
- ✓ Clean in Place
- ✓ VSD for continuous control of power, speed, frequency and temperature
- ✓ Includes MCC and vibration sensing
- ✓ Patent Pending
- ✓ Designed and manufactured in Australia
- ✓ Service and spare parts readily available